

Rise 'n' Recline

at will in the new

CONWY

SINGLE MOTOR

Powered Recliner



The effortless way to
add comfort to your day.

“Being able to lie back in comfort is a real joy!”



Relax-in
or step-out
with ease
and safety



1 Recline
in luxury

The Conwy single motor lowers the seat back and raises the footrest at the same time



2 Stand
in safety



3 Sit in
comfort

Put your feet up and lie back at the touch of a button with the CONWY Rise 'n' Recline Chair.

Do you struggle to get in and out of your chair?

Then the new powered Conwy Rise 'n' Recline chair is the answer. It's sturdy single motor operation means you can lie back in complete safety and get out with ease with a simple press of the remote control. Offering real quality, craftsmanship and comfort the Conwy Recliner is manufactured using nothing but top quality materials and components by a company that has years of experience and guarantees your complete satisfaction.

If you spend a lot of time sitting down don't you deserve a little bit of extra comfort?

Taking a nap, relaxing and reading, watching TV or just sitting quietly and reflecting, you'll soon notice the real difference this superb recliner can make.

Being comfortable is good for your health too – it aids circulation and eases the pressure and discomfort of muscular pains, stiff joints and aching backs. Having the facility to recline and raise ones feet is also very beneficial for numerous ailments and being able to adjust the angle of the backrest also aids respiratory problems and breathing difficulties.

Whether you're choosing a recliner because of a medical problem or just because you want extra comfort, the Conwy offers an excellent investment for years to come.

- Craftsman made in our very own factory in the UK
- Adjustable back and footrest
- Generous padding throughout
- Covered in soft yet hard-wearing material

The Rise of Powered Recliners

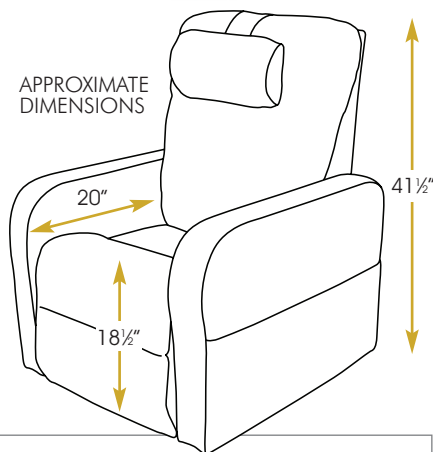
Many people are turning to Powered Recliners because of the independence they allow. The tilt position brings you effortlessly to a standing start with absolutely no physical effort.

Risers give you all the benefits of a manual recliner without the need for assistance when getting out of the chair and the easy-to-use handset puts you in complete control.

You can also adjust the footrest and recline actions at the touch of a button to the exact position you require.

It's this ease and flexibility that make a Powered Recliner the choice for real comfort and safety for thousands of people just like you.

Easy to use push button handset



“The best investment I’ve ever made!”

Power					
Mains Transformer	240V	50 Hz	Battery Back up	Yes	
Chair	24V DC		Frame	Single Actuator	
Watts Max	140 VA		Max Weight Lift	20 Stone	130kg
Dimensions					
Height of Seat (floor to front of seat)	470mm		Height of Chair (total)	1054mm	41½"
Width of Seat (between arms)	521mm		Width of Chair (total)	775mm	30½"
Height of Arm	622mm	24½"	Depth of Chair (total)	889mm	35"
			Depth of Seat (front of seat to back)	508mm	20"
			Length of Back	711mm	28"
			Full Recline	1727mm	68"
			Weight of Chair	62kg	

Head Office, Dartel House, 2 Lumley Road, Horley, Surrey RH6 7RJ
Telephone: 01293 787080

Manufacturing: NHC Technology Ltd, Colomendy Industrial Estate, Rhyl Road, Denbigh, Denbighshire LL16 5TS.
Telephone: 01745 811200

